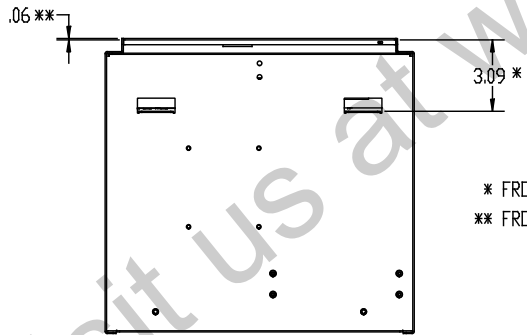
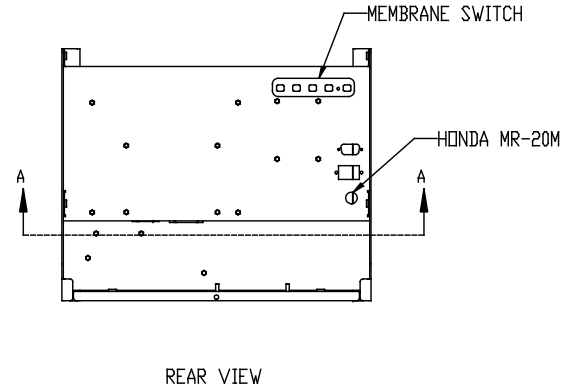
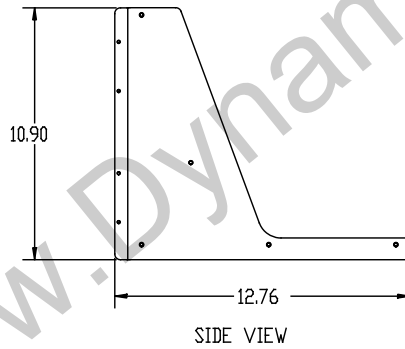
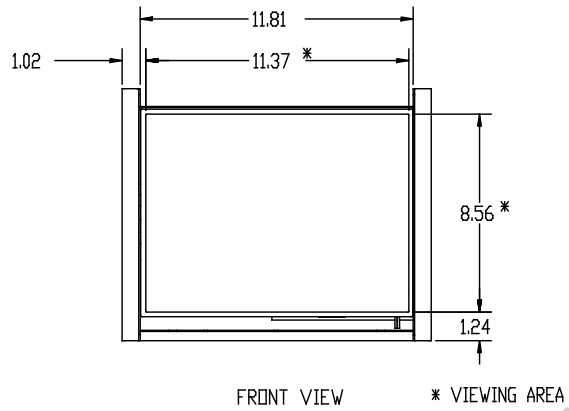
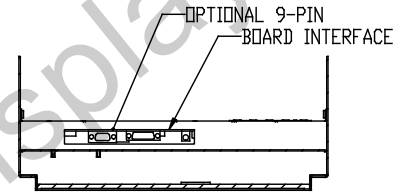
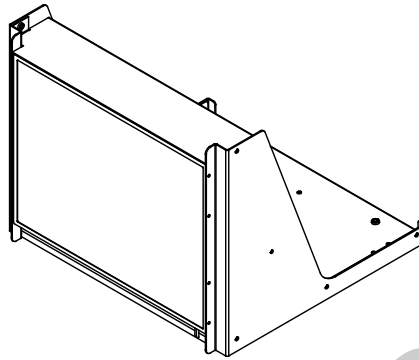
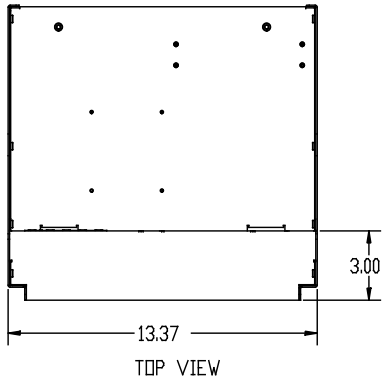


REVISIONS				
ZONE	REV.	DESCRIPTION	DATE	APPROVED
	01	PROTOTYPE RELEASE	7/12/08	
	02	BASE & BACK PANEL CHANGED	1/3/2009	



* FRONT OF LCD TO FRONT SURFACE OF FLANGES
 ** FRONT OF TOP AND SIDE SHEET METAL SURROUND TO FRONT OF LCD

PROPRIETARY AND CONFIDENTIAL
 THE INFORMATION CONTAINED IN THIS DRAWING IS THE SOLE PROPERTY OF DYNAMIC DISPLAYS, INC. AND REPRODUCTION IN PART OR AS A WHOLE WITHOUT THE WRITTEN PERMISSION OF DYNAMIC DISPLAYS, INC. IS PROHIBITED.

UNLESS OTHERWISE SPECIFIED:		NAME	DATE	Dynamic Displays, Inc.
DIMENSIONS ARE IN INCHES		DRAWN	7/12/08	
TOLERANCES		ARJ		TITLE: OUTLINE DRAWING 14" FANUC RETROFIT CHASSIS
FRACTIONAL ±		CHECKED		
ANGULAR MATCH ±		ENG APPR.		
TWO PLACE DECIMAL ± .020		MFG APPR.		SIZE DWG. NO. REV C 0014122 02
THREE PLACE DECIMAL ± .010		DA		
INTERPRET GEOMETRIC TOLERANCING PER		COMMENTS:		SCALE: 14
WATERL				SHEET 1 OF 1
FINISH X				
NEXT ASSY USED ON				
APPLICATION				
DO NOT SCALE DRAWING				