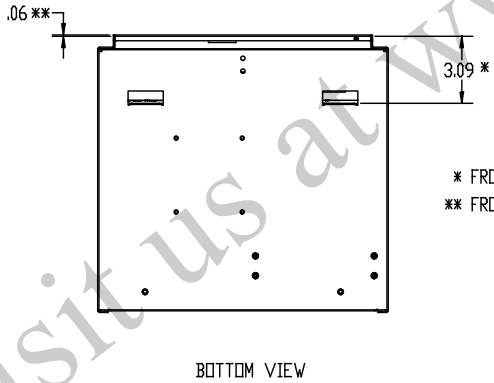
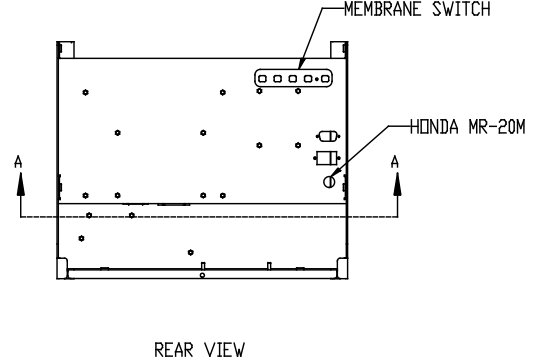
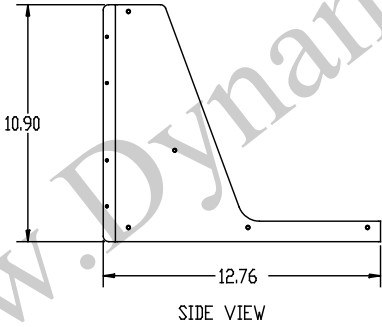
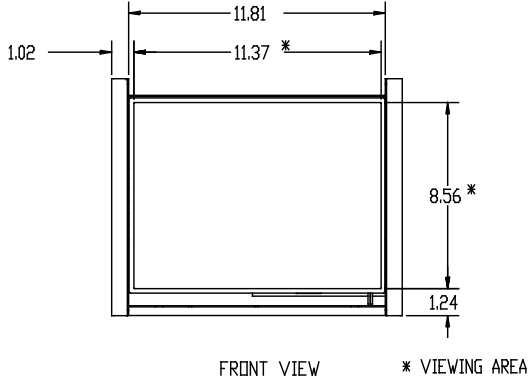
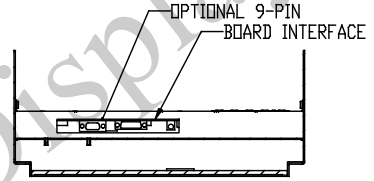
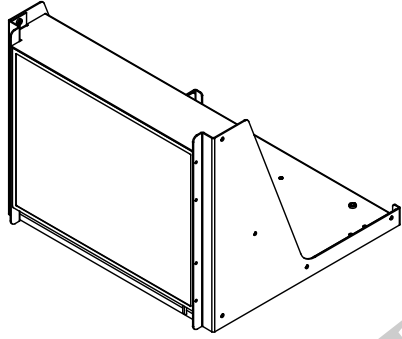
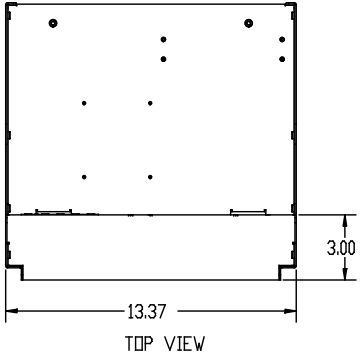


| REVISIONS |      |                           |          |          |
|-----------|------|---------------------------|----------|----------|
| ZONE      | REV. | DESCRIPTION               | DATE     | APPROVED |
|           | 01   | PROTOTYPE RELEASE         | 7/12/08  |          |
|           | 02   | BASE & BACK PANEL CHANGED | 1/3/2009 |          |



\* FRONT OF LCD TO FRONT SURFACE OF FLANGES  
\*\* FRONT OF TOP AND SIDE SHEET METAL SURROUND TO FRONT OF LCD

|                            |       |         |                        |              |
|----------------------------|-------|---------|------------------------|--------------|
| UNLESS OTHERWISE SPECIFIED |       | DATE    | Dynamic Displays, Inc. |              |
| INCHES                     | FRAC. | DATE    | TITLE                  |              |
| 1/16                       | 1/16  | 7/12/08 | OUTLINE DRAWING        |              |
| 1/32                       | 1/32  |         | 14" FANUC              |              |
| 1/64                       | 1/64  |         | RETROFIT CHASSIS       |              |
| 1/128                      | 1/128 |         | SIZE DWG. NL           | REV          |
| 1/256                      | 1/256 |         | C 0014122              | 02           |
| 1/512                      | 1/512 |         | SCALE: 1:4             | SHEET 1 OF 1 |

PROPRIETARY AND CONFIDENTIAL  
THE INFORMATION CONTAINED IN THIS DRAWING IS THE SOLE PROPERTY OF DYNAMIC DISPLAYS, INC. ANY REPRODUCTION IN PART OR AS A WHOLE WITHOUT THE WRITTEN PERMISSION OF DYNAMIC DISPLAYS, INC. IS PROHIBITED.