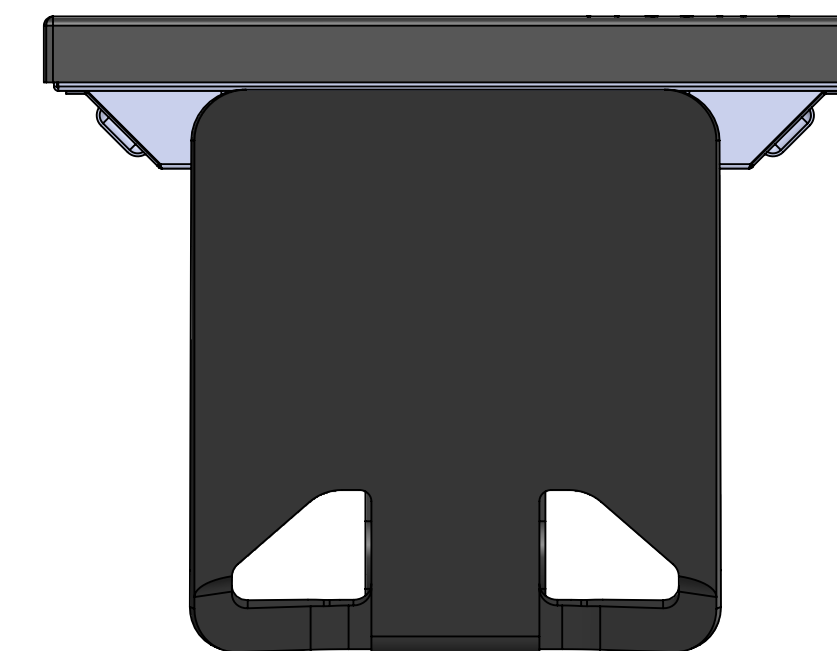
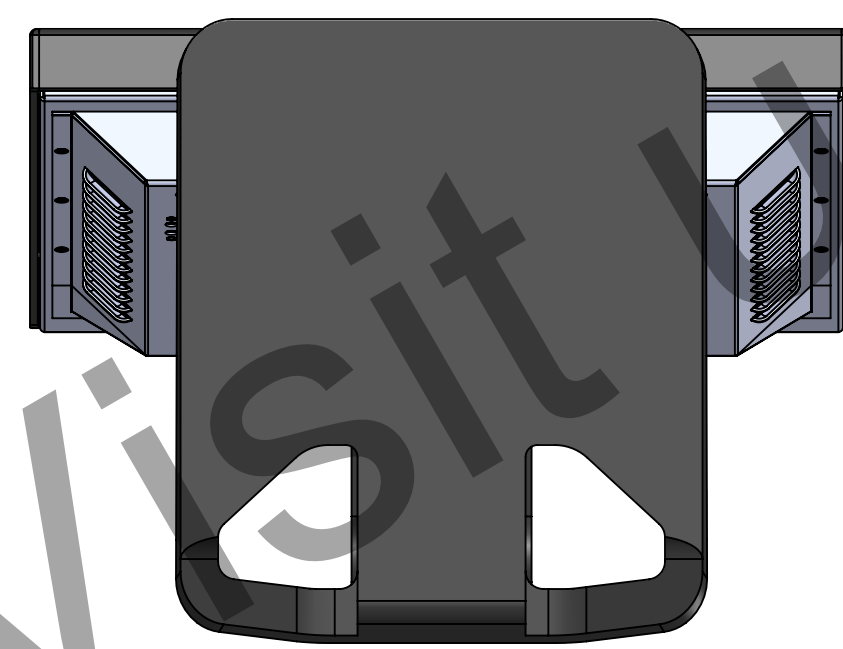
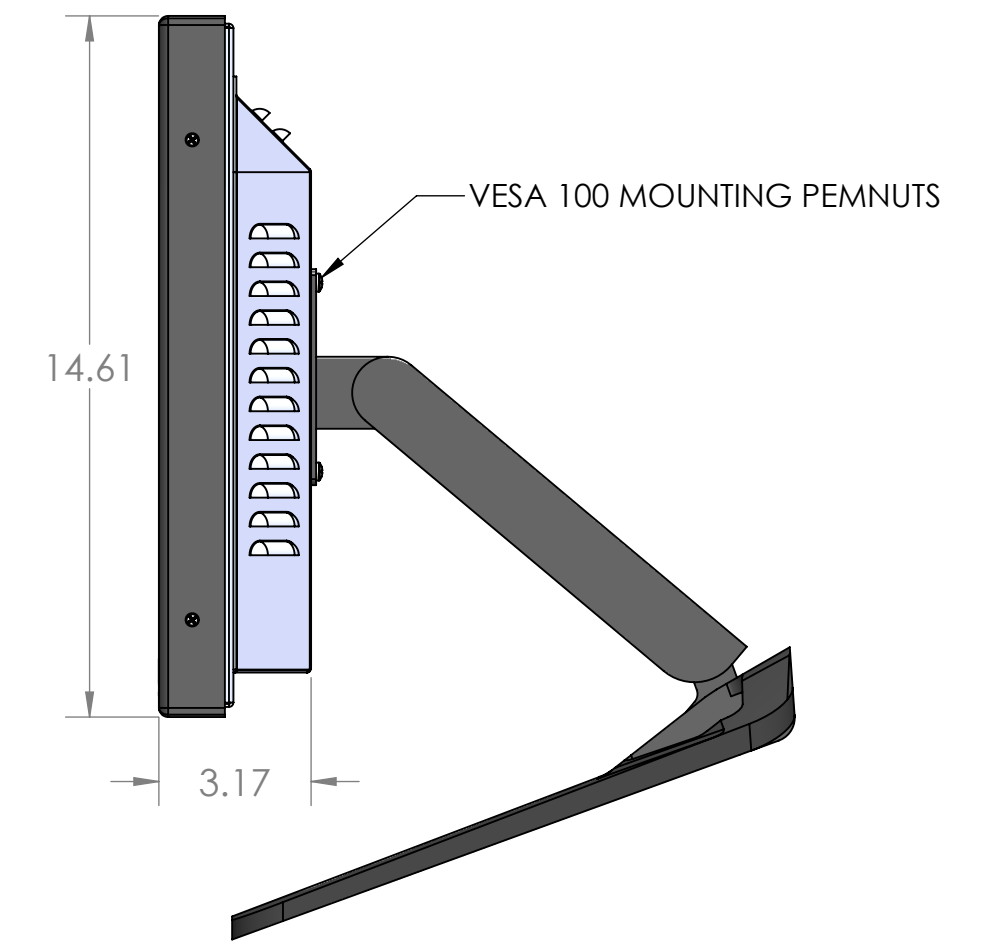
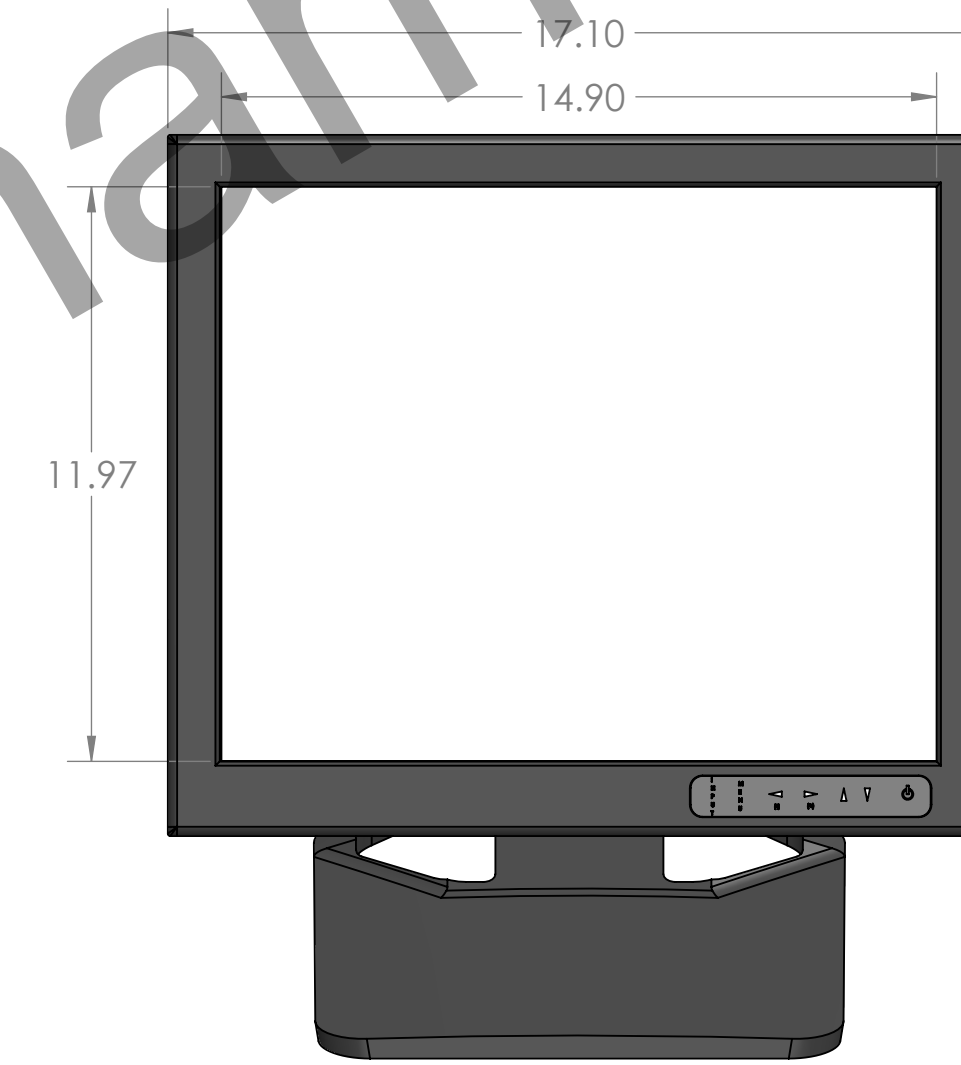
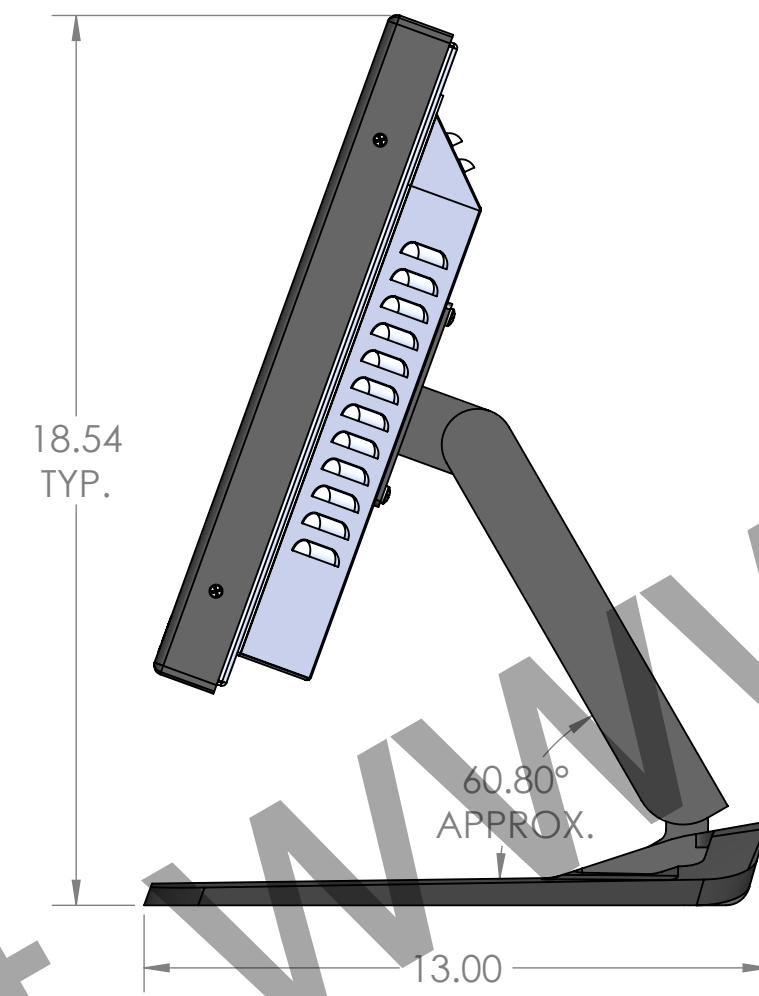
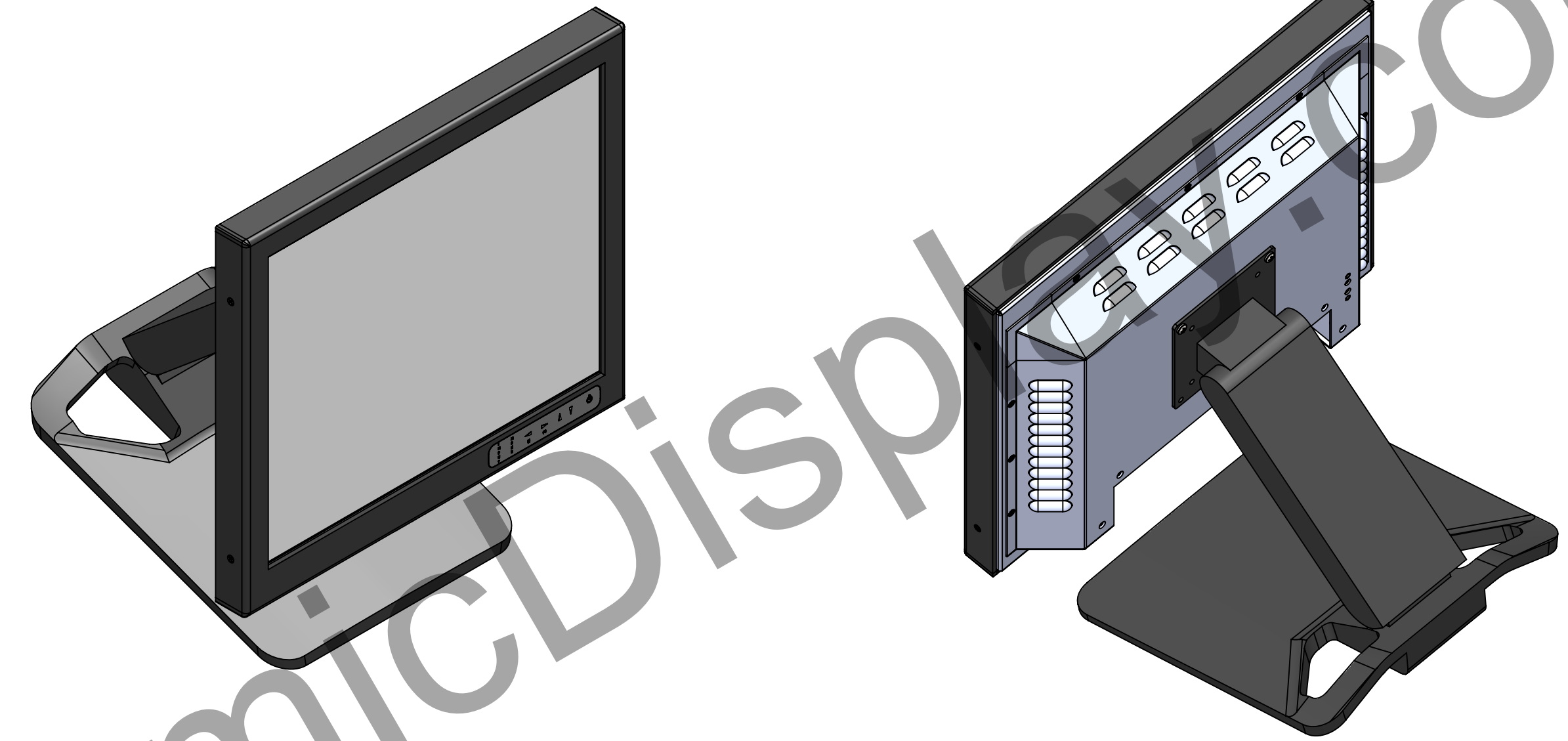
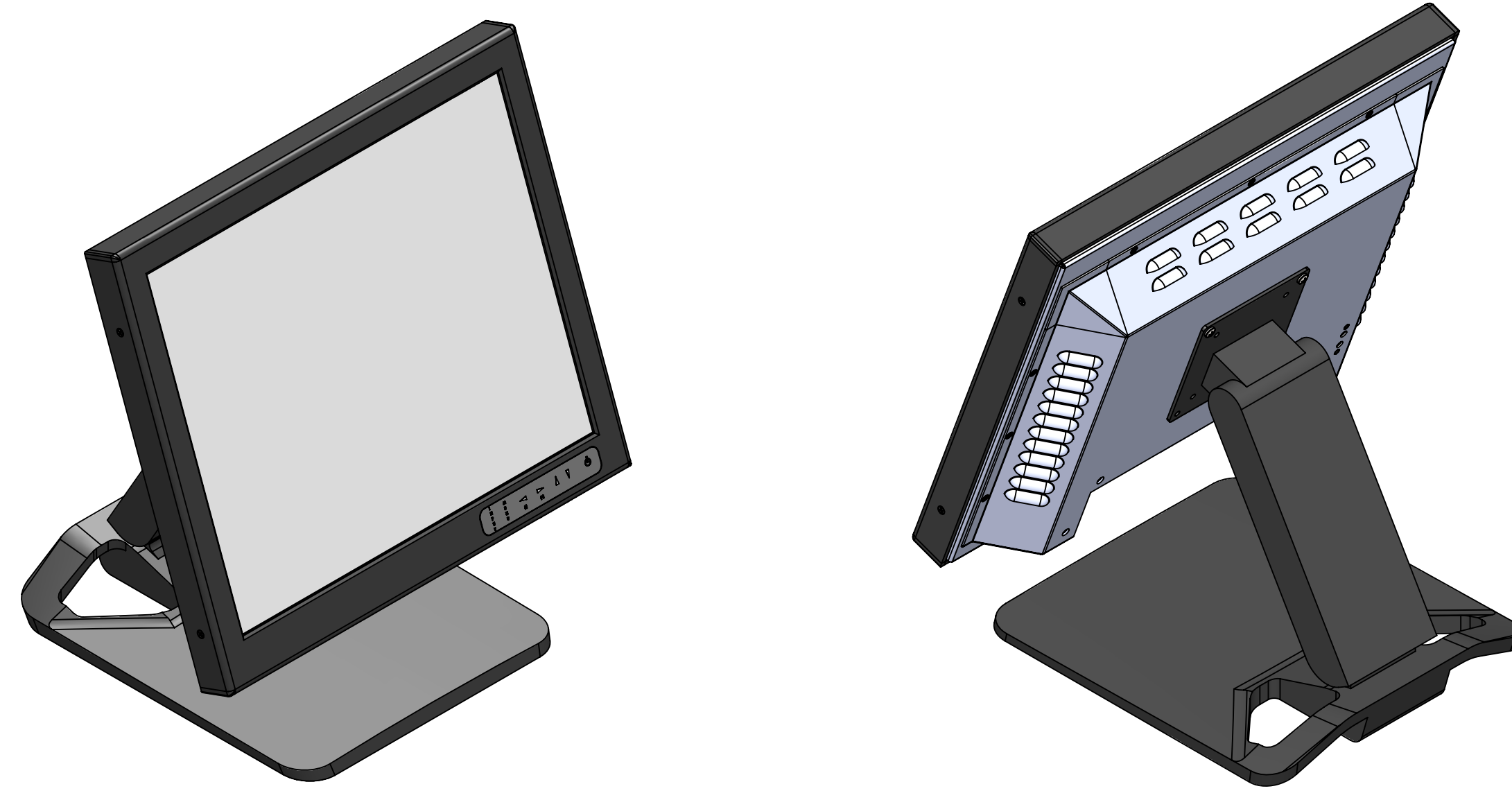


# 19" LCD Desktop Monitor Tilt & Swivel Base Reference

# 19" LCD Desktop Monitor Metal Enclosure Reference

REVISIONS			
REV.	DESCRIPTION	DATE	APPROVED
01	PROTOTYPE RELEASE	2/8/2013	
02	MOVED EXPLODED VIEW TO SHEET 2; MADE CHGS TO PARTS	4/30/2013	
03	REPLACED 33-310-060 WITH 33-387-085	10/6/0214	



<p><b>PROPRIETARY AND CONFIDENTIAL</b></p> <p>THE INFORMATION CONTAINED IN THIS DRAWING IS THE SOLE PROPERTY OF DYNAMIC DISPLAYS, INC. ANY REPRODUCTION IN PART OR AS A WHOLE WITHOUT THE WRITTEN PERMISSION OF DYNAMIC DISPLAYS, INC. IS PROHIBITED.</p>	<p>UNLESS OTHERWISE SPECIFIED:</p> <p>DIMENSIONS ARE IN INCHES</p> <p>TOLERANCES:</p> <p>FRACTIONAL ±</p> <p>ANGULAR: MACH ± BEND ±</p> <p>TWO PLACE DECIMAL ±</p> <p>THREE PLACE DECIMAL ±</p>	<p>NAME</p> <p>OBM</p> <p>DR</p> <p>OBM</p> <p>TJP</p> <p>MRC</p>	<p>DATE</p> <p>5/13/2015</p> <p>05/13/15</p> <p>05/13/15</p> <p>05/13/15</p> <p>5/13/2015</p>	<p>Dynamic Displays, Inc.</p> <p>TITLE:</p> <p><b>OUTLINE DWG 19"</b></p> <p><b>FLT/PNL,MTL ENCL</b></p>
	<p>INTERPRET GEOMETRIC TOLERANCING PER:</p> <p>MATERIAL: ERROR!Material</p> <p>FINISH: ERROR!Finish</p> <p>DO NOT SCALE DRAWING</p>	<p>Q.A.</p> <p>MRC</p> <p>COMMENTS:</p>	<p>SIZE DWG. NO.</p> <p><b>D 0014137</b></p> <p>SCALE: 1:4</p>	<p>REV</p> <p><b>03</b></p> <p>SHEET 1 OF 1</p>