

4

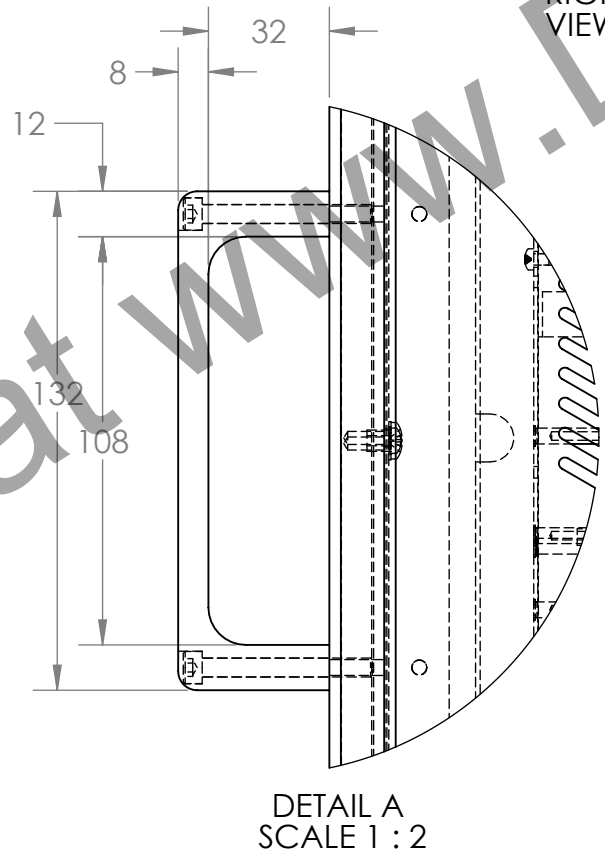
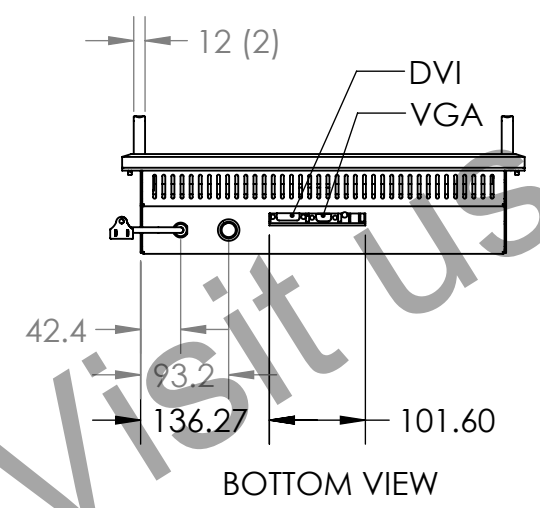
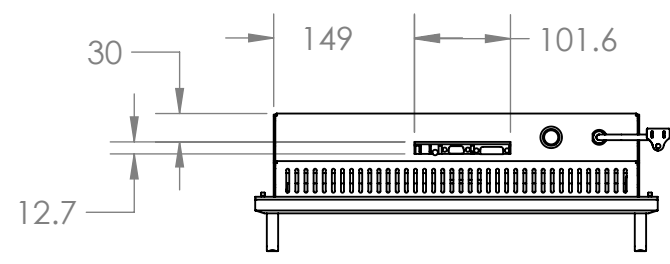
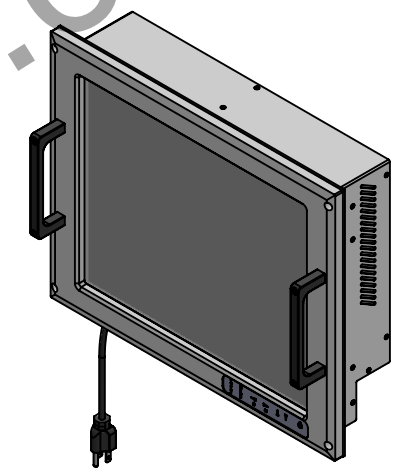
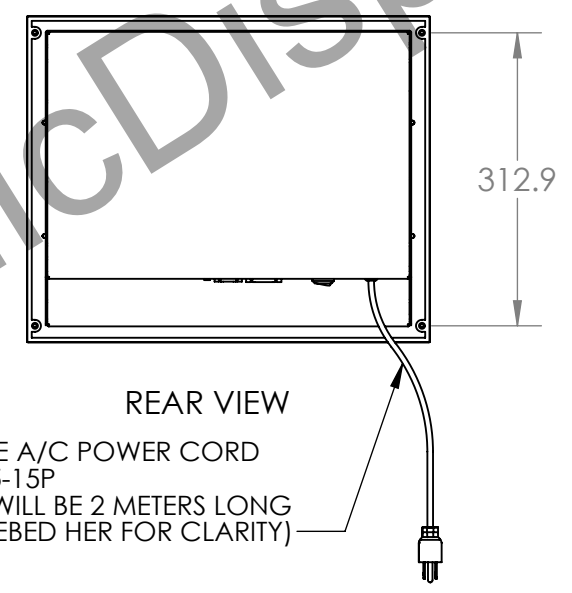
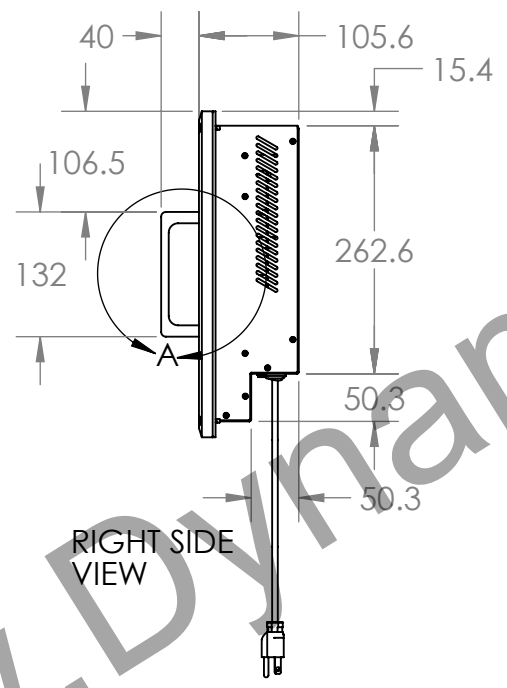
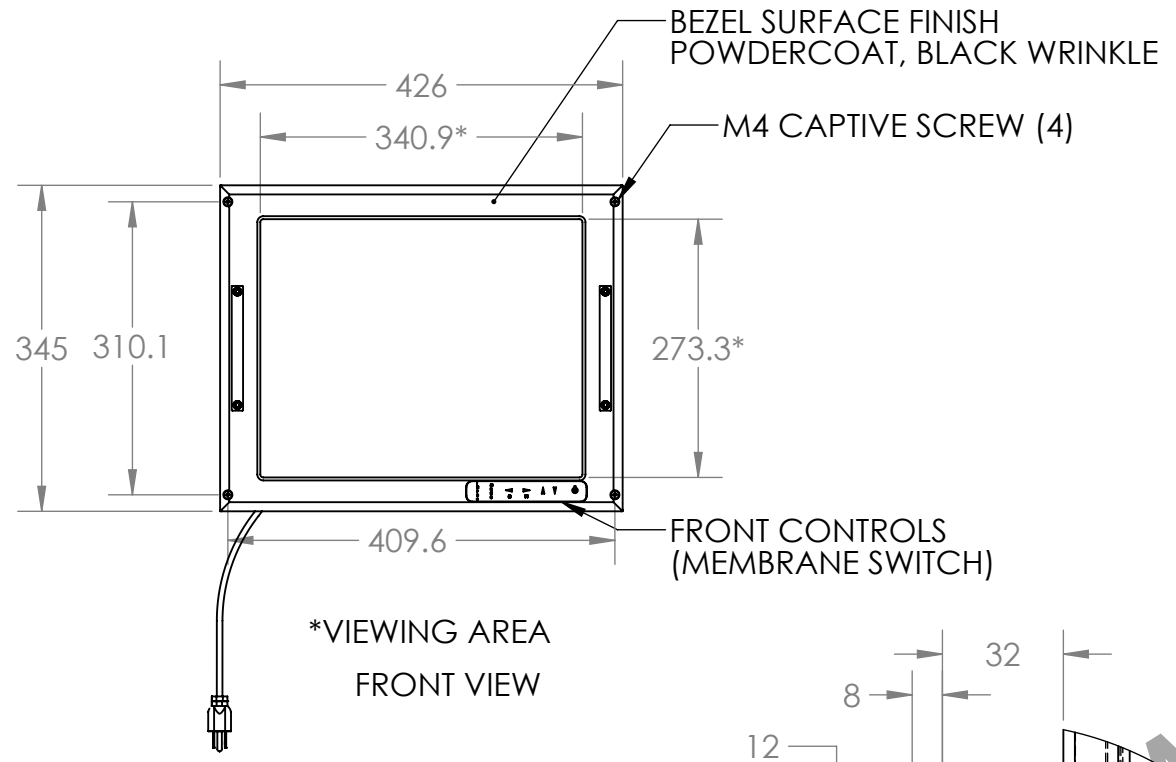
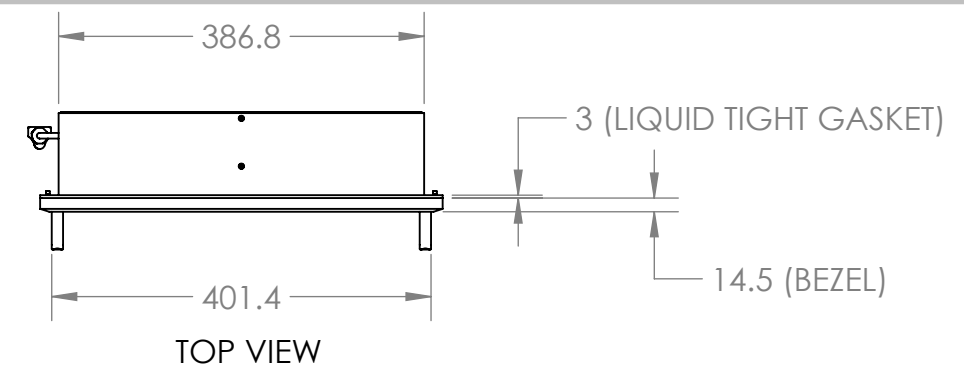
3

2

1

REVISIONS

REV.	DESCRIPTION	DATE	APPROVED
04	PRODUCTION RELEASE	5/26/2010	OBM
05	NEW MEMBRANE SWITCH DESIGN	10/15/2012	OBM



UNLESS OTHERWISE SPECIFIED:

DIMENSIONS ARE IN INCHES	DRAWN	OBM	3/16/2015
TOLERANCES:	CHECKED	DR	5/26/2010
FRACTIONAL ±	ENG APPR.	OBM	5/26/2010
ANGULAR: MACH ± BEND ±.5°	MFG APPR.	TJP	5/26/2010
TWO PLACE DECIMAL ±.020	Q.A.	MRC	5/26/2010
THREE PLACE DECIMAL ±.010	COMMENTS:		
INTERPRET GEOMETRIC TOLERANCING PER:			
MATERIAL			
FINISH			
DO NOT SCALE DRAWING			

PROPRIETARY AND CONFIDENTIAL
THE INFORMATION CONTAINED IN THIS DRAWING IS THE SOLE PROPERTY OF DYNAMIC DISPLAY, INC. ANY REPRODUCTION IN PART OR AS A WHOLE WITHOUT THE WRITTEN PERMISSION OF DYNAMIC DISPLAY, INC. IS PROHIBITED.

Dynamic Displays, Inc.
TITLE: **OUTLINE DWG, 17" FLT/PNL DISPLAY, RUGGEDIZED**

SIZE	DWG. NO.	REV
B	0123456	05
SCALE: 1:8	SHEET 1 OF 1	