

4

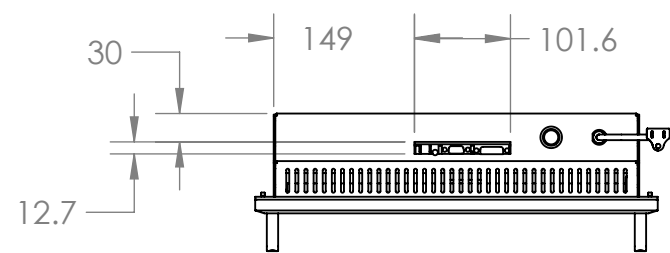
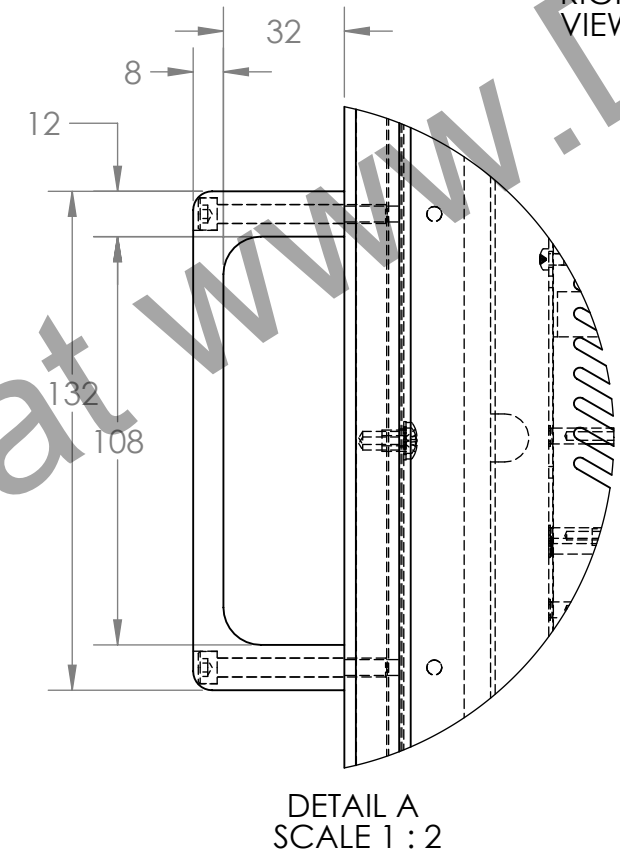
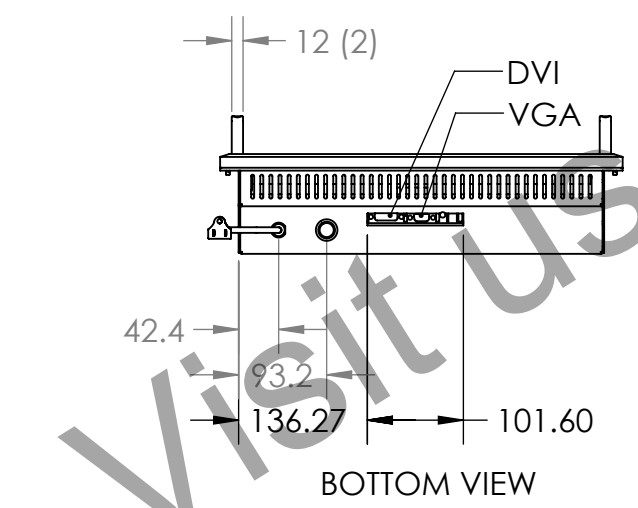
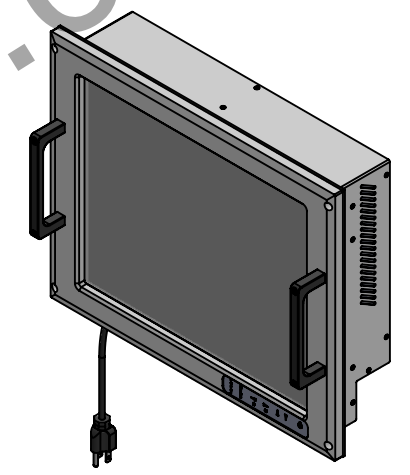
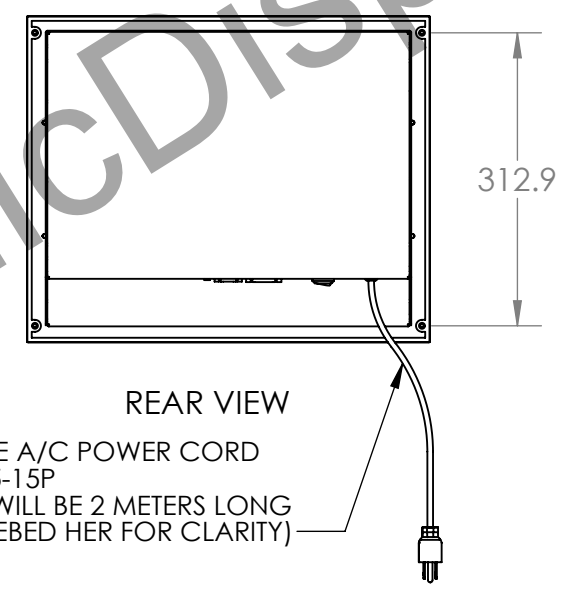
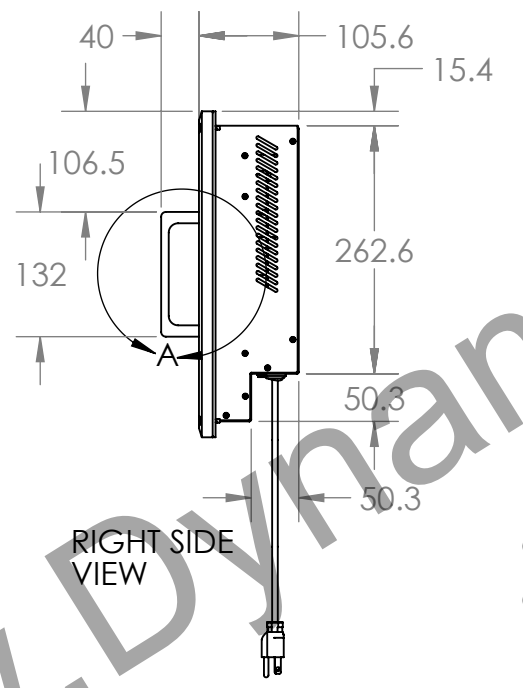
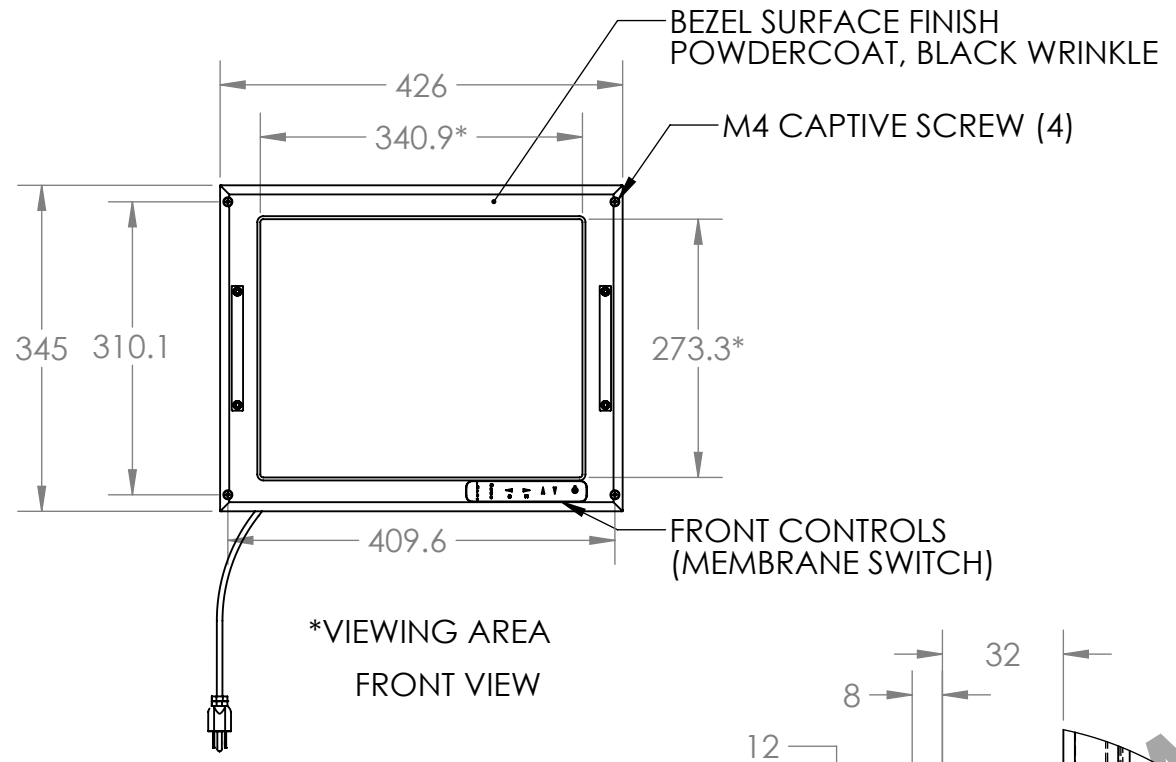
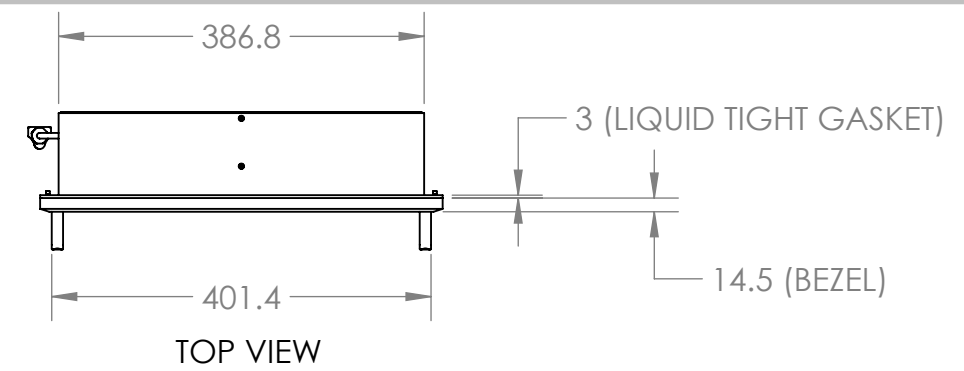
3

2

1

REVISIONS

REV.	DESCRIPTION	DATE	APPROVED
04	PRODUCTION RELEASE	5/26/2010	OBM
05	NEW MEMBRANE SWITCH DESIGN	10/15/2012	OBM



UNLESS OTHERWISE SPECIFIED:

	NAME	DATE
DRAWN	OBM	3/16/2015
CHECKED	DR	5/26/2010
ENG APPR.	OBM	5/26/2010
MFG APPR.	TJP	5/26/2010
Q.A.	MRC	5/26/2010

COMMENTS:

PROPRIETARY AND CONFIDENTIAL
THE INFORMATION CONTAINED IN THIS DRAWING IS THE SOLE PROPERTY OF DYNAMIC DISPLAY, INC. ANY REPRODUCTION IN PART OR AS A WHOLE WITHOUT THE WRITTEN PERMISSION OF DYNAMIC DISPLAY, INC. IS PROHIBITED.

Dynamic Displays, Inc.
TITLE: **OUTLINE DWG, 17" FLT/PNL DISPLAY, RUGGEDIZED**

SIZE	DWG. NO.	REV
B	0123456	05

SCALE: 1:8 SHEET 1 OF 1

4

3

2

1

B

B

A

A