

4

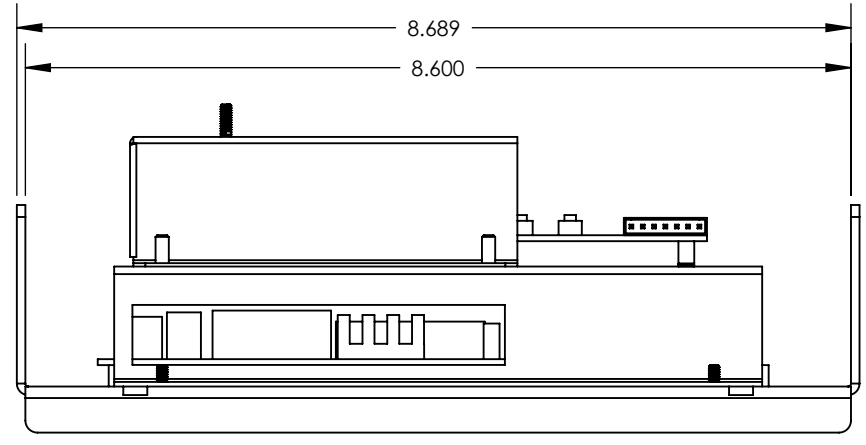
3

2

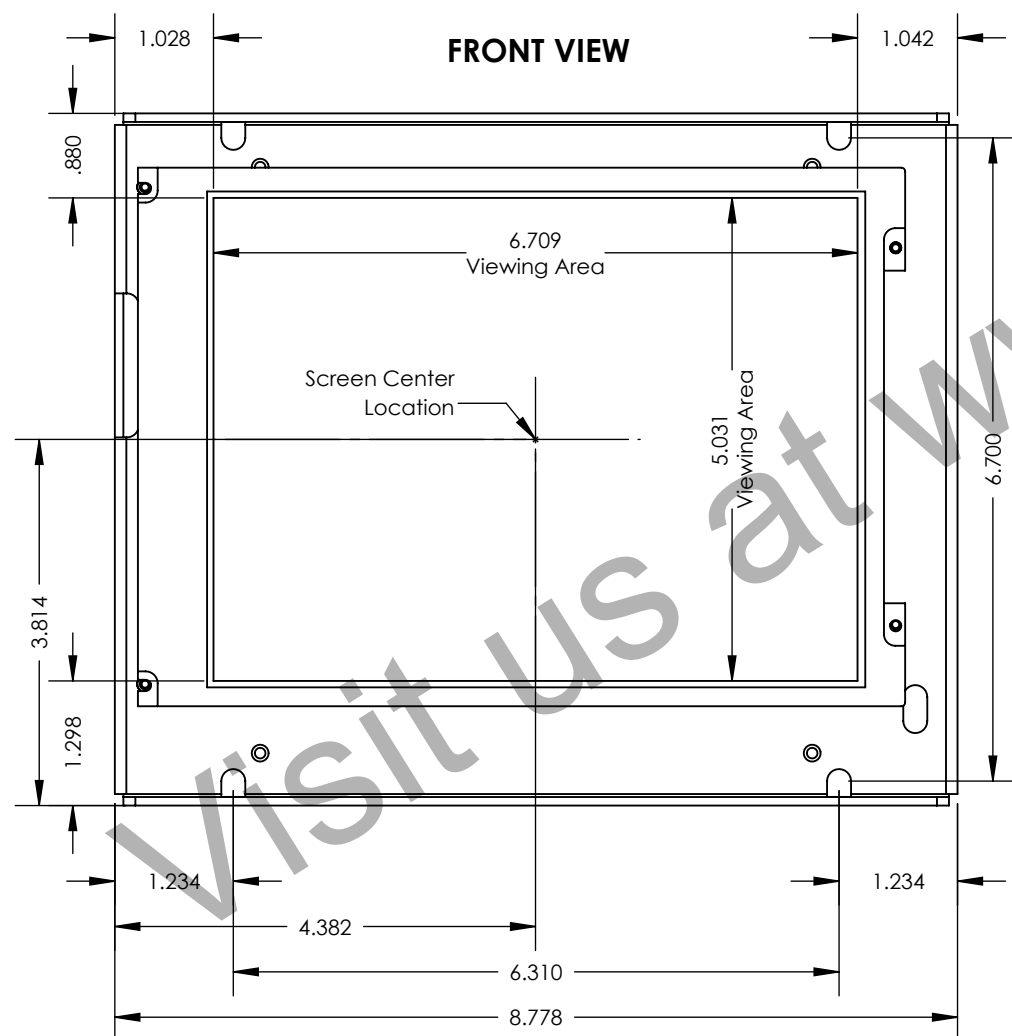
1

REV.	DESCRIPTION	DATE	APPROVED
1	TO BE RELEASE	10/20/16	OBM

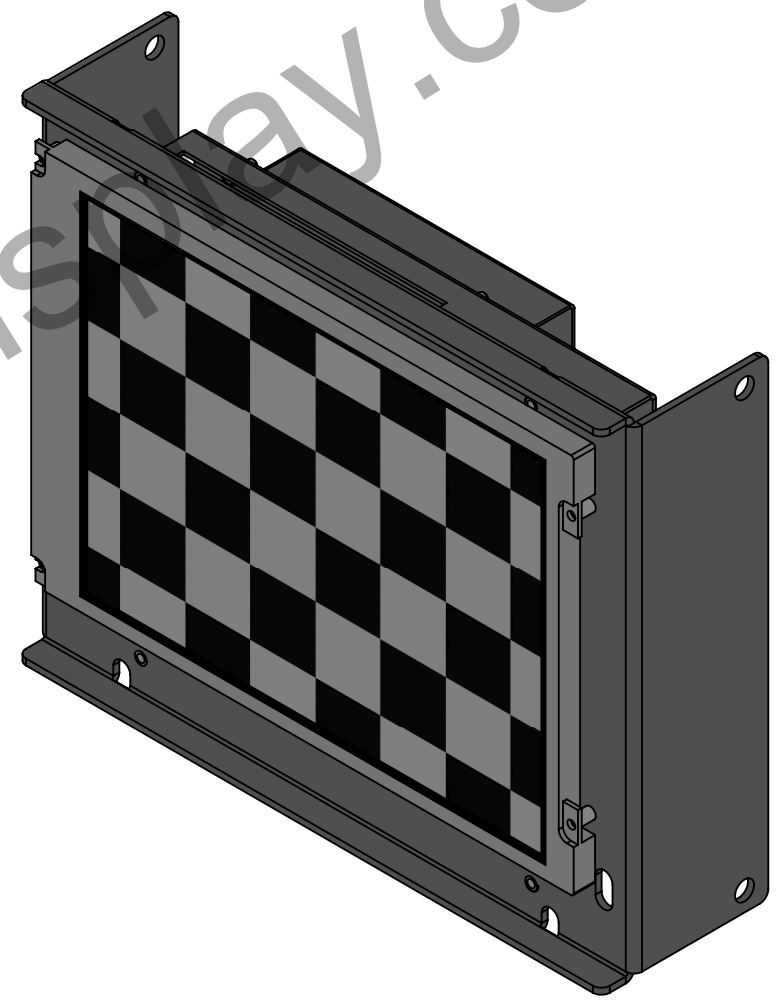
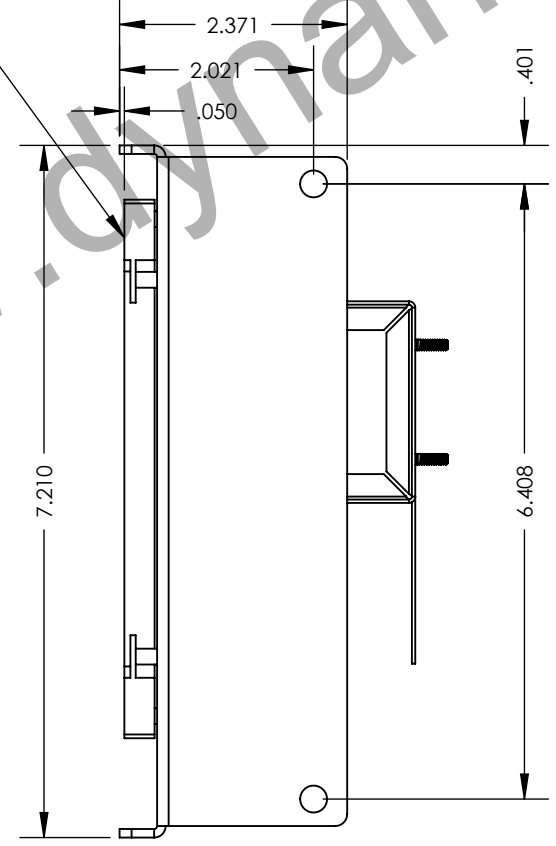
TOP VIEW



FRONT VIEW



SIDE VIEW



UNLESS OTHERWISE SPECIFIED:

	NAME	DATE
DRAWN	OBM	11/7/2017
CHECKED	DR	11/7/2017
ENG APPR.	OBM	11/7/2017
MFG APPR.	TK	11/7/2017
Q.A.	MRC	11/7/2017

COMMENTS:

Dynamic Displays, Inc.

TITLE:
**OUTLINE DRAWING, 8.4",
LCD - FANUC 12VDC**

PROPRIETARY AND CONFIDENTIAL
THE INFORMATION CONTAINED IN THIS DRAWING IS THE SOLE PROPERTY OF DYNAMIC DISPLAY, INC. ANY REPRODUCTION IN PART OR AS A WHOLE WITHOUT THE WRITTEN PERMISSION OF DYNAMIC DISPLAY, INC. IS PROHIBITED.

SIZE	DWG. NO.	REV
B	0014158	01

SCALE: 1:2 SHEET 1 OF 1

4

3

2

1

B

B

A

A